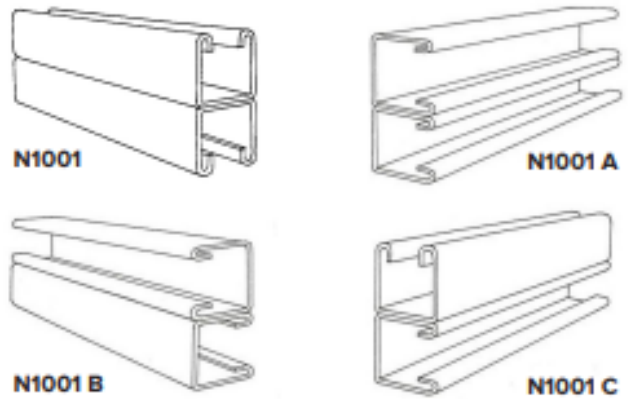
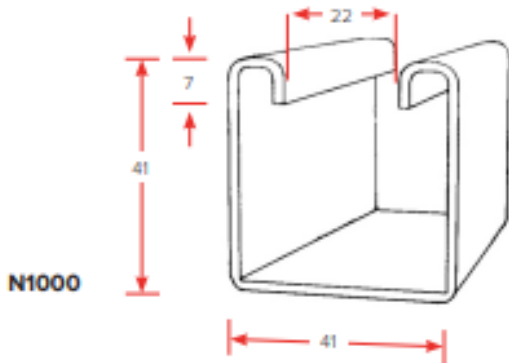


N1000 SERIES – HEAVY GAUGE CHANNEL

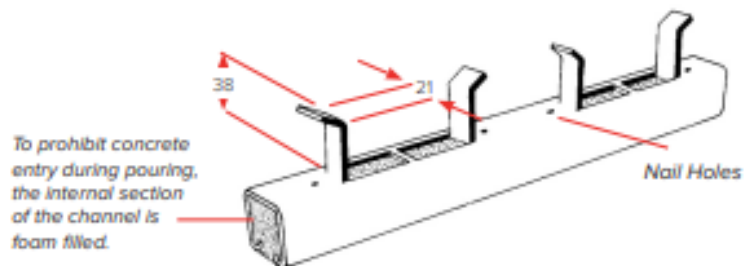
2.5mm section, cold rolled from H.R.P. Coil Steel.
Available in standard 6m long stock lengths or cut to size to fit customer's requirements.
Weight 2.7kg/m.

**WELDED BACK TO BACK.
OTHER VARIATIONS ON REQUEST.**



FOAM FILLED CHANNEL N1000 FF

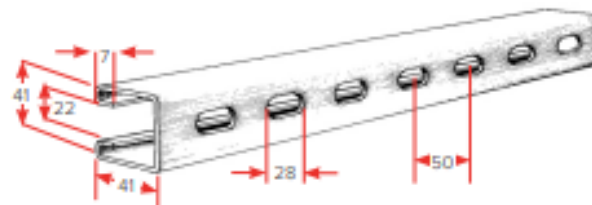
For fixing to concrete formwork, providing a flush support system.
2.5mm section cold rolled from H.R.P. Coil Steel.
Available in 6m long stock lengths, or cut to size to fit customers' requirements.
Punched for fixing to concrete formwork.



Maximum Safe Working Load	200mm Lengths	300mm Lengths
N1000FF	540kg	900kg

SLOTTED CHANNEL N1000 SL

Slots 14mm wide and 28mm long at 50mm centres. Available in H.D.G., Milled and Powder Coated

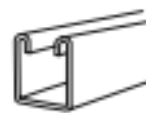


Available Finishes:

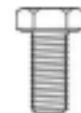
- Plain
- Galvabond
- Hot Dipped Galvanised (H.D.G.)
- Powder Coated
- Stainless Steel

Contact our Sales Team for more information.

GAS METER POST SETS N1000



N1000H.D.G. x 1metre



HHSSM6x20 x 2



N3006M6 x 2

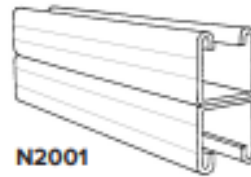
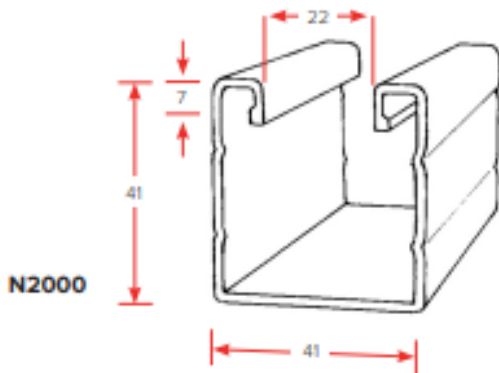
CHANNEL



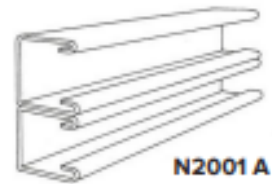
N2000 SERIES – LIGHT GAUGE CHANNEL

1.6mm section cold rolled from pre-galvanised coil steel. Available in standard 6m long stock length or cut to customer's requirements. Weight 1.8kg/m.

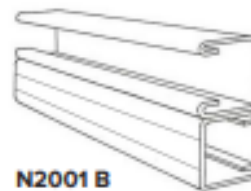
**WELDED BACK TO BACK.
OTHER VARIATIONS ON REQUEST.**



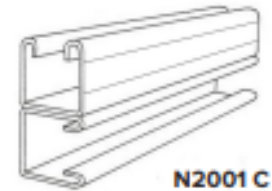
N2001



N2001 A



N2001 B



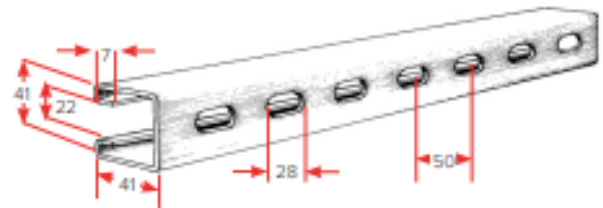
N2001 C

Available Finishes:

- Galvabond
- Powder Coated

SLOTTED CHANNEL N2000 SL

Slots 14mm wide and 28cm long at 50mm centres. Available in Galvabond.

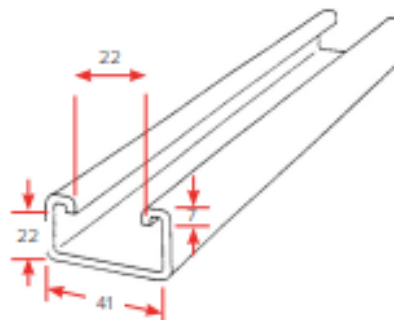


N3300 SERIES – HEAVY GAUGE CHANNEL

2.5mm section, cold rolled from H.R.P. Coil Steel. Available in 6 metre long stock lengths. Weight 1.91 kg/m.

**WELDED BACK TO BACK.
OTHER VARIATIONS ON REQUEST.**

N3300

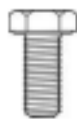


N3301

GAS METER POST SETS N3300



N3300H.D.G.
x 1 metre



HHSSM6x20
x 2



N3006M6
x 2

Available Finishes:

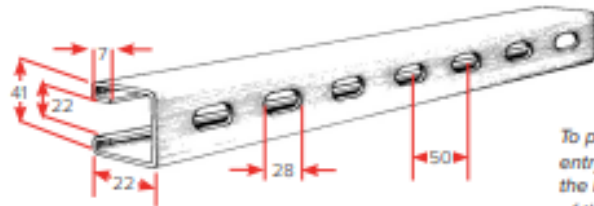
- Hot Dipped Galvanised (H.D.G.)
- Powder Coated
- 316GR Stainless Steel

Contact our Sales Team for more information.

N3300 SERIES – HEAVY GAUGE CHANNEL, cont.

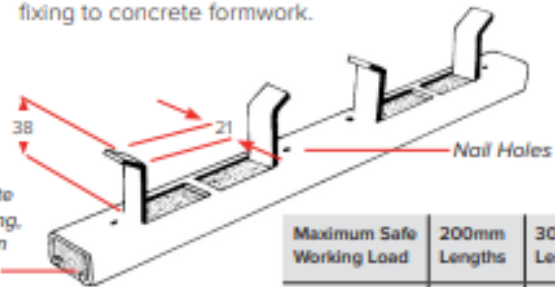
SLOTTED CHANNEL N3300 SL

Slots 14mm wide and 28mm long at 50mm centres. Available in HDG.



FOAM FILLED CHANNEL N3300 FF

For fixing to concrete formwork, providing a flush support system. 2.5mm section cold rolled from H.R.P. Coil Steel. Available in 6m stock lengths and cut to size to suit customers' requirements. Punched for fixing to concrete formwork.

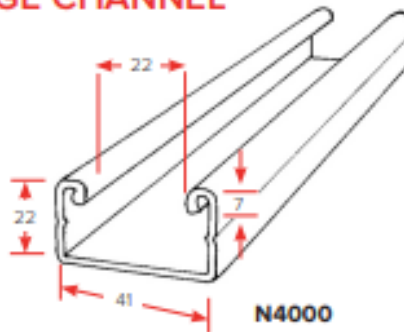


To prohibit concrete entry during pouring, the internal section of the channel is foam filled.

Maximum Safe Working Load	200mm Lengths	300mm Lengths
N3300FF	400kg	680kg

N4000 SERIES – LIGHT GAUGE CHANNEL

1.6mm section cold rolled from pre-galvanised coil steel. Available in standard 6m long stock length or cut to customer's requirements. Weight 1.27kg/m.

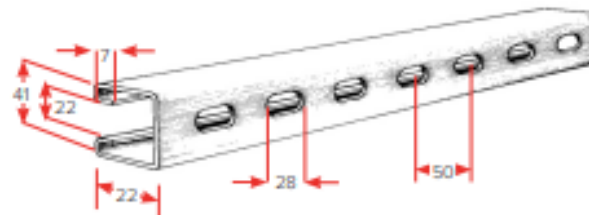


Available Finishes:

- Galvabond
- Powder Coated

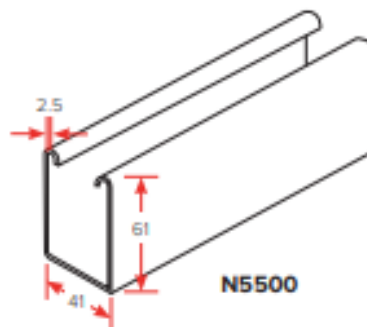
SLOTTED CHANNEL N4000 SL

Slots 14mm wide and 28mm long at 50mm centres. Available in Galvabond.



N5500 SERIES – HEAVY GAUGE CHANNEL

2.5mm section, cold rolled from H.R.P. Coil Steel. Available in standard 6m long stock lengths or cut to size to fit customer's requirements. Weight 3.4kg/m.



Available Finishes:

- Hot Dipped Galvanised (H.D.G.)
- Powder Coated

Contact our Sales Team for more information.

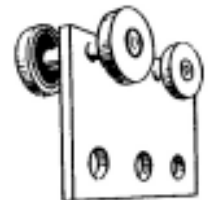
CHANNEL CARRIAGES



BALL BEARING RACE N2749
32mm long. Maximum safe working load **23kg**



BALL BEARING RACE N2750
76mm long. Maximum safe working load **45kg**

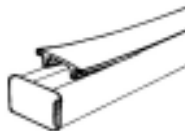


BALL BEARING RACE N2950
Maximum safe working load **240kg**

END CAPS & CLOSURE STRIPS



END CAP N2407
For series N1000 & N2000 channels. Plastic.



END CAP N3380
For series N3300 & N4000 channels. Plastic.

CHANNEL INSERTS

- N1184-PL** (PVC)
- N1184-AL** (Aluminium)

Available in PVC extrusions in 3m stock length to fit all channel series.

These inserts provide an effective seal for the channel. Stock colour for PVC inserts: grey and white.

CHANNEL NUTS



LONG SPRING

Item	Metric
N1006 M6	6mm
N1007 M8	8mm
N1008 M10	10mm
N1010 M12	12mm
N1012 M16	16mm

Suits
**N1000
N2000**



NO SPRING

Item	Metric
N3006 M6	6mm
N3007 M8	8mm
N3008 M10	10mm
N3010 M12	12mm
N3012 M16	16mm

Suits
**N1000
N2000
N3300
N4000
N5500**



SHORT SPRING

Item	Metric
N4006 M6	6mm
N4007 M8	8mm
N4008 M10	10mm
N4010 M12	12mm

Suits
**N3300
N4000**



BUTTERFLY NUTS

Item	Metric
N3016 M16	6mm

Suits
**N1000
N2000
N3300
N4000
N5500**

Available Finishes:

- Zinc Plated
- Hot Dipped Galvanised (H.D.G.)
- Stainless Steel (316)