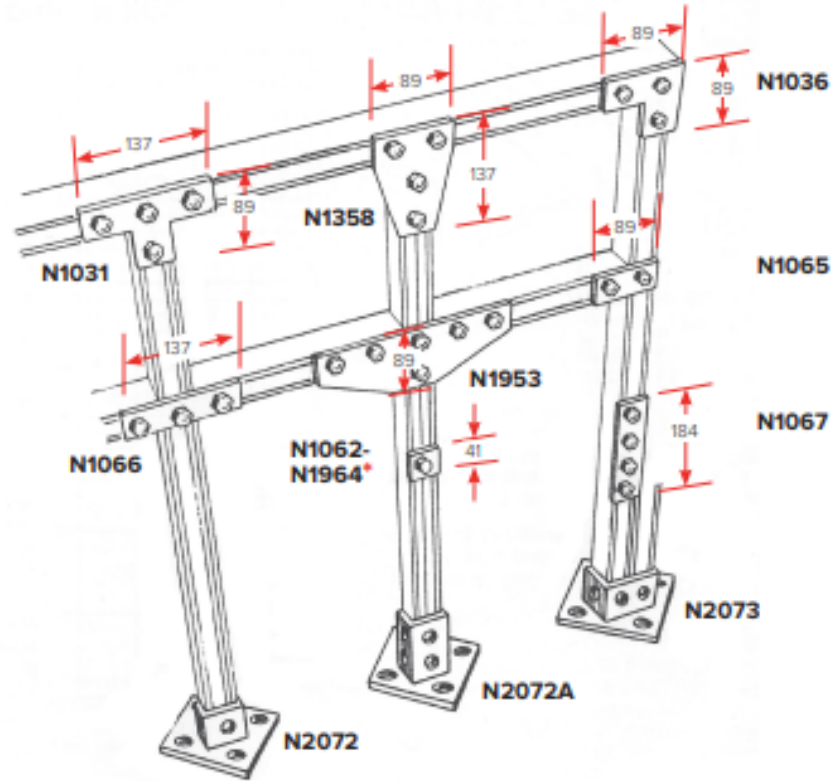


FLAT FITTINGS

* N1062-N1964

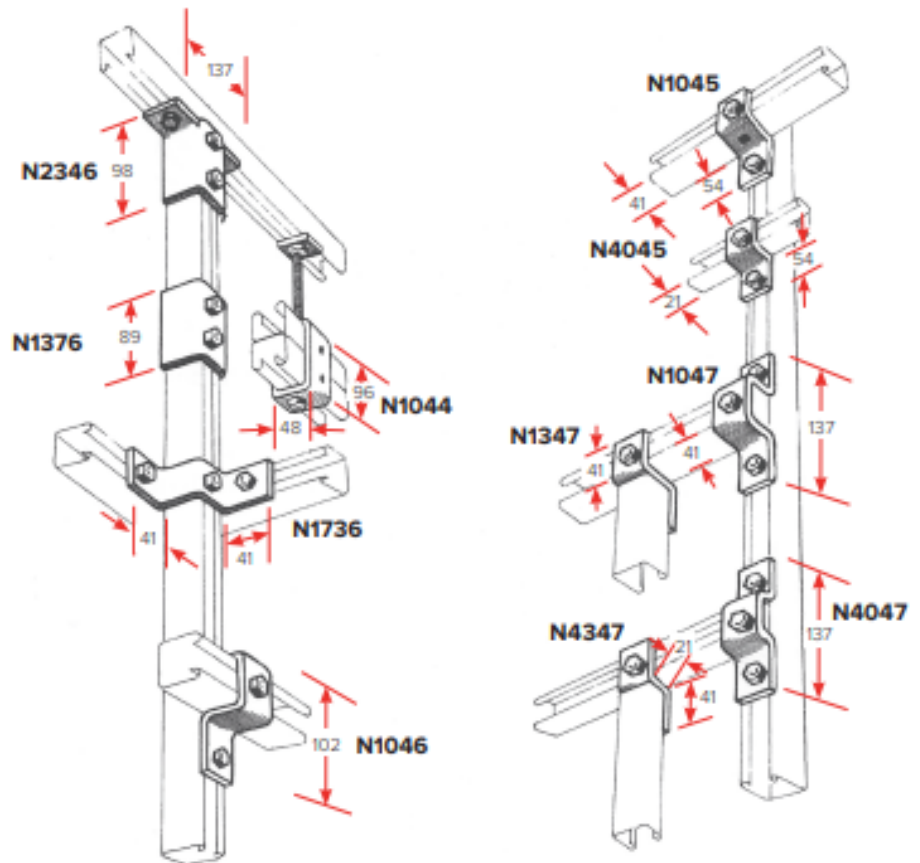
- N1062: 9mm hole
- N1063: 11mm hole
- N1064: 13mm hole
- N1964: 17mm hole



'U' & 'Z' FITTINGS

- Standard Finish:**
- Hot Dipped Galvanised (H.D.G.)
- Also available:**
- Milled
 - Zinc Plated
 - Stainless Steel
 - Powder Coated

- Material thickness:** 6mm.
Hole diameter 14mm.
Channel nuts and bolts to be ordered separately.



90° FITTINGS

Standard Finish:

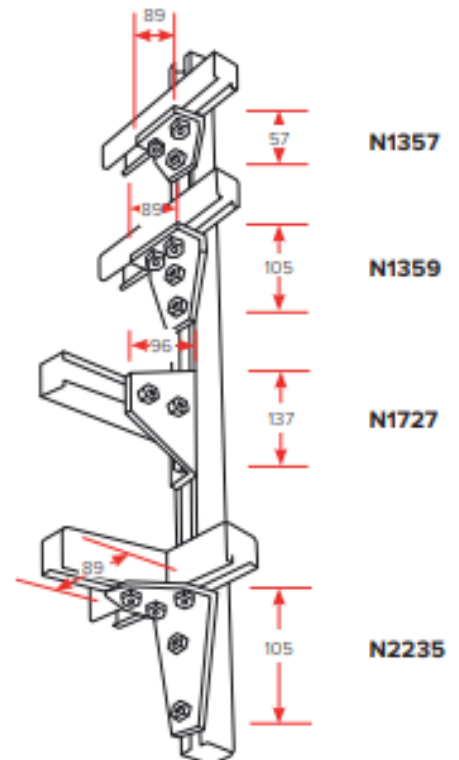
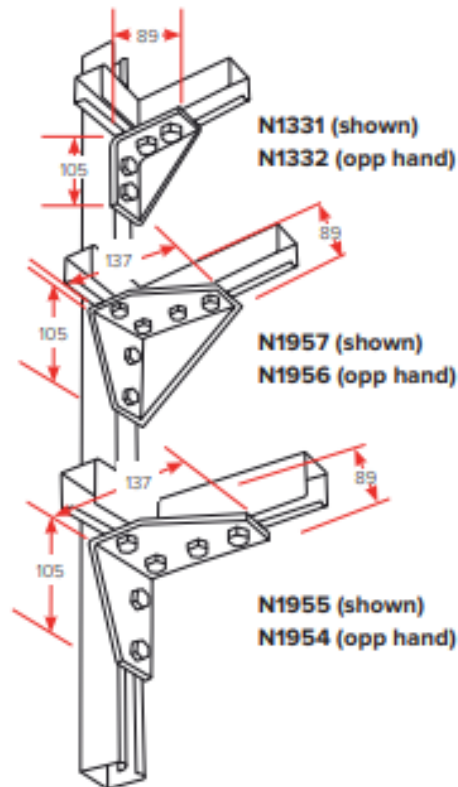
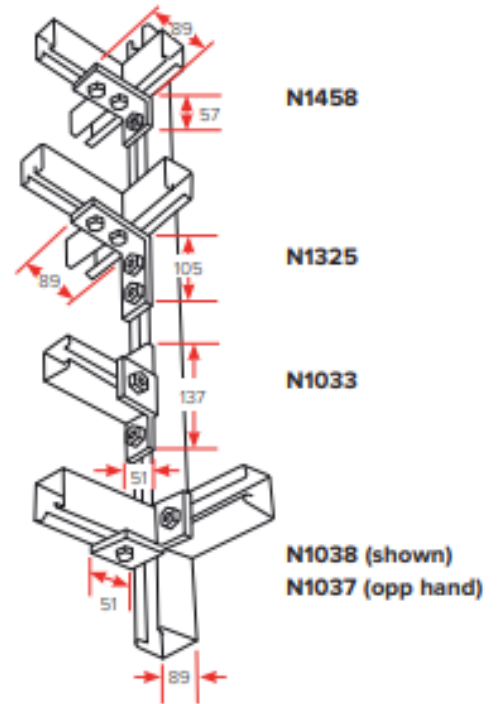
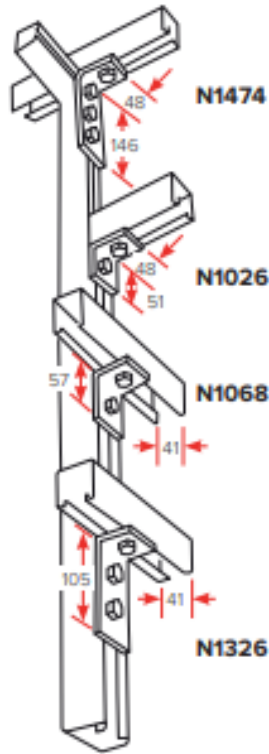
- Hot Dipped Galvanised (H.D.G.)

Also available:









- Milled
- Zinc Plated
- Stainless Steel
- Powder Coated

Material thickness:

6mm.
Hole diameter 14mm.
Channel nuts and bolts to be ordered separately.



ANGLE FITTINGS

	Item	Description
	N1186	45° angle fitting
	N1546	45° angle fitting
	N2095	75° angle fitting
	N2097	60° angle fitting
	N2101	30° angle fitting
	N2103	15° angle fitting
	N2106	75° angle fitting
	N2108	60° angle fitting

Available Finishes:

- Hot Dipped Galvanised (H.D.G.)
- Stainless Steel

Material thickness: 6mm.

Hole diameter 14mm. Channel nuts and bolts to be ordered separately.

CHANNEL STABILIZER

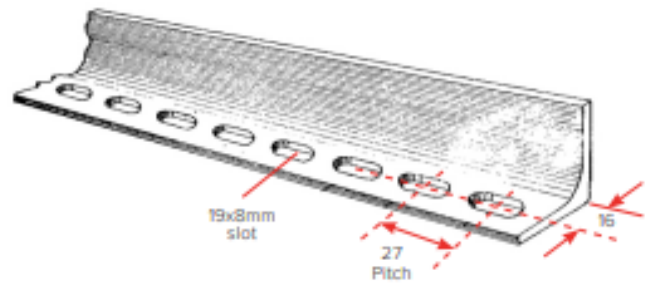


Item	Description
N2452	90° angle

Available Finishes:

- Milled
- Hot Dipped Galvanised (H.D.G.)
- Stainless Steel

SLOTTED ANGLE






Item	Size	Description
N1500	25 x 25 x 3mm	Slotted angle with 19mm x 8mm slots. Sold in 3m lengths.

Available Finishes:

- Milled
- Hot Dipped Galvanised (H.D.G.)
- Stainless Steel

MOUNTING PLATES

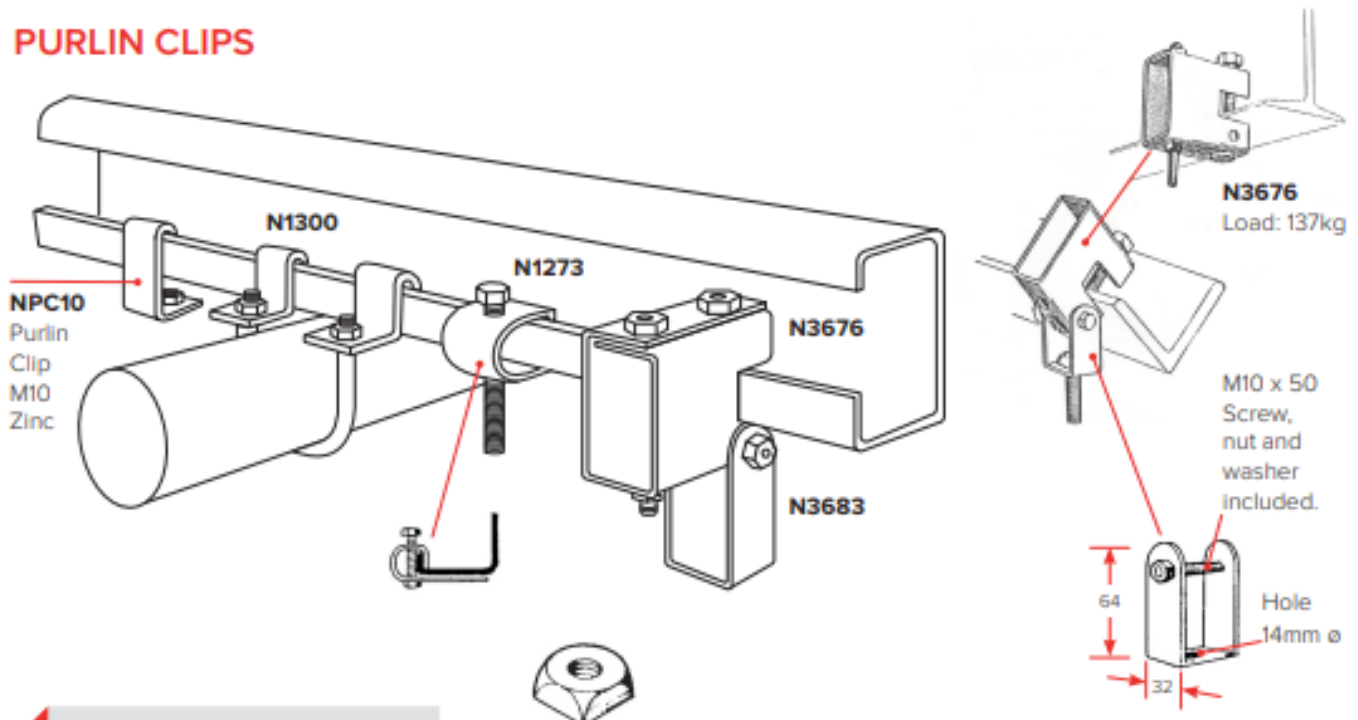
	Item	Description
	NMPC	25 x 3 x 100mm. Available in M10 & M12 thread. Zinc Plated.
	NMPH	
	NMPV	

PIPE SUPPORTS

PURLIN CLIPS & BEAM CLAMPS



PURLIN CLIPS



- Available Finishes:**
- Zinc Plated
 - Hot Dipped Galvanised (H.D.G.)
 - Powder Coated
 - Stainless Steel

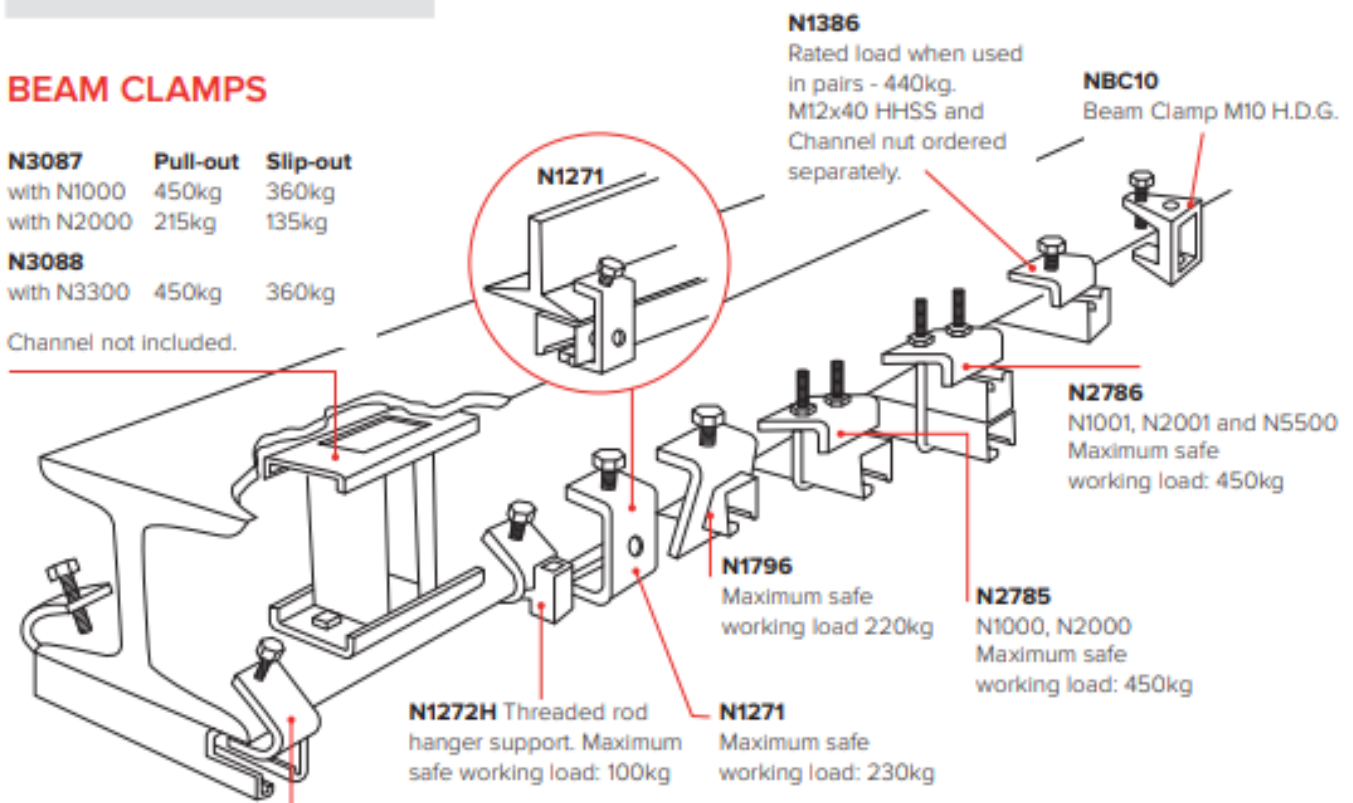
N3679 M10 & M12 Swivel Nut used in extruded spherical hole for angles.

N3683 To be used with N3676. Load: 113kg.

BEAM CLAMPS

	Pull-out	Slip-out
N3087		
with N1000	450kg	360kg
with N2000	215kg	135kg
N3088		
with N3300	450kg	360kg

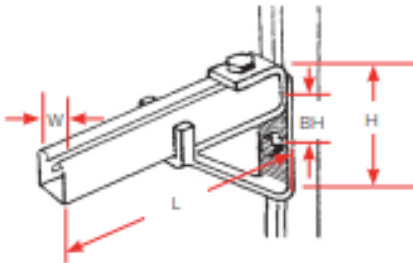
Channel not included.



N1272 Maximum safe working load: 200kg

ALL BEAM CLAMPS (EXCEPT N1386) COME COMPLETE WITH FIXTURES AS SHOWN IN THE GRAPHICS.

CANTILEVER BRACKETS



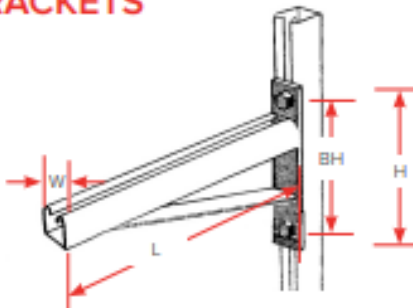
Item	Height (H)	Length (L)	Width (W)	Holes Centres (BH)
N1075	150	120	40	75
N1075A	150	190	40	75

Available Finishes:

- Hot Dipped Galvanised (H.D.G.)
- Stainless Steel

For Series N1000 channel.

BRACED CANTILEVER BRACKETS



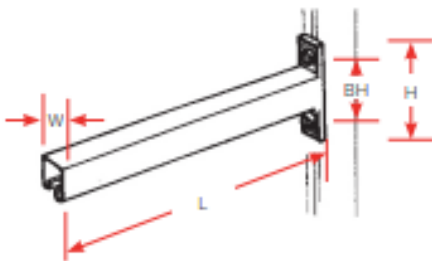
Item	Height (H)	Length (L)	Width (W)	Holes Centres (BH)
N2510B(350)	230	350	40	193
N2510B(470)	230	470	40	193
N2510B(640)	280	640	40	238
N2510B(780)	280	780	40	238

Available Finishes:

- Hot Dipped Galvanised (H.D.G.)
- Stainless Steel
- Powder Coated

Other sizes available to suit customers requirements.

FLAT PLATE CANTILEVER BRACKETS



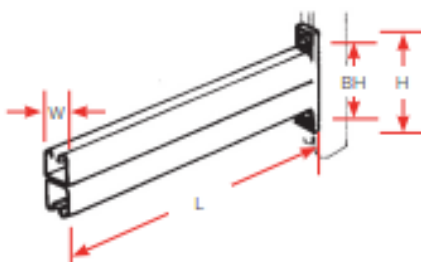
Item	Height (H)	Length (L)	Width (W)	Holes Centres (BH)
N2510F(150)	137	150	40	96
N2510F(300)	137	300	40	96
N2510F(450)	137	450	40	96
N2510F(600)	137	600	40	96
N2510F(700)	137	700	40	96

Available Finishes:

- Hot Dipped Galvanised (H.D.G.)
- Stainless Steel
- Powder Coated

Other sizes available to suit customers requirements.

BACK TO BACK CANTILEVER BRACKETS



Item	Height (H)	Length (L)	Width (W)	Holes Centres (BH)
N2542	165	350	40	127
N2543	165	497	40	127
N2544	165	663	40	127
N2545	165	762	40	127
N2546	165	914	40	127

Available Finishes:

- Hot Dipped Galvanised (H.D.G.)
- Stainless Steel
- Powder Coated

Other sizes available to suit customers requirements.

PIPE SUPPORTS FASTENERS



SET SCREWS, NUTS, WASHERS, BOLTS, ANCHORS & LOXINS

HEXAGON HEAD SET SCREWS



Available in
Zinc, HDG,
Stainless
Steel

Item	Size
HHSSM6x20	6x20mm
HHSSM6x25	6x25mm
HHSSM8x20	8x20mm
HHSSM8x25	8x25mm
HHSSM8x40	8x40mm
HHSSM8x50	8x50mm
HHSSM10x20	10x20mm
HHSSM10x25	10x25mm
HHSSM10x30	10x30mm
HHSSM10x40	10x40mm
HHSSM10x50	10x50mm
HHSSM12x24	12x24mm
HHSSM12x30	12x30mm
HHSSM12x40	12x40mm
HHSSM16x40	16x40mm

PAN HEAD SET SCREWS



Item	Size
PHSSM6x20	6x20mm
PHSSM6x25	6x25mm
PHSSM8x25	8x25mm

Available in Zinc, H.D.G.
and Stainless Steel.

HEX NUTS



Item	Size
HNM6	6mm
HNM8	8mm
HNM10	10mm
HNM12	12mm
HNM16	16mm
HNM20	20mm

Available in Zinc, H.D.G.
and Stainless Steel

DROP-IN ANCHORS

Item	Size
DI6	M6
DI8	M8
DI10	M10
DI12	M12
DI16	M16



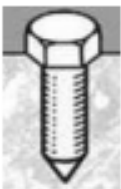
Available in Zinc and
Stainless Steel.

DROP-IN ANCHOR PUNCH

Item	Size
DIT10	M10
DIT12	M12



CONE POINT SET SCREWS



Item	Size
CPSSM10x40	10x40mm
CPSSM12x45	12x45mm

Available in Zinc, HDG,
Stainless Steel.

WEDGE- NUT



Item	Size
WEDGE- NUTM10	10mm

Available in Zinc.

WASHER



Available in
zinc, HDG,
stainless
steel.

Item	Size
WASHERM6	6mm
WASHERM8	8mm
WASHERM10	10mm
WASHERM12	12mm
WASHERM16	16mm
WASHERM20	20mm

SPRING- WASHER



Item	Size
SPRING- WASHERM10	10mm
SPRING- WASHERM12	12mm

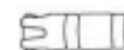
Available in Zinc, HDG,
Stainless Steel.

DYNA- BOLTS



Item	Size
SAB-40	8x40mm
SAB-65	8x65mm
SA10-40	10x40mm
SA10-50	10x50mm
SA10-75	10x75mm
SA10-100	10x100mm
SA12-60	12x60mm
SA12-75	12x75mm

LOXINS



Item	Size
SL06	M6
SL08	M8
SL10	M10
SL12	M12

Available in Zinc.

Note: other sizes, finishes and
styles of fasteners are available
by request.

COUNTER- SUNK HEAD SET SCREWS



Item	Size
CSSSM6	6x16mm

Available in Zinc.

THREADED RODS



Item	Size
RODM6	6mm
RODM8	8mm
RODM10	10mm
RODM12	12mm
RODM16	16mm
RODM20	20mm
ROD3/8*	3/8

Available in 3m lengths.
Available in Zinc, HDG
and Stainless Steel.
* ROD3/8 available in
standard 3.6m length.

THREADED ROD COUPLERS



Item	Size
RCM6	6mm
RCM8	8mm
RCM10	10mm
RCM12	12mm
RCM16	16mm
RCM20	20mm

Available in Zinc,
H.D.G. and Stainless
Steel.

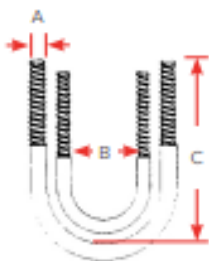
THREADED ROD ATTACHMENTS



Item	Size
N991A	Use with N990 series – M10 rod maximum
N991B	Use with N991 series – M12 rod maximum
N991C	Use with N991 series – M16 rod maximum

Available in H.D.G. and
Stainless Steel.
To be ordered separately
when required.

U BOLTS



A = Rod thread
diameter
B = Inside width
C = inside length

Item	A	B	C	Pipe NB
N2559-21	M6	21	65	15
N2559-21	M10	21	65	15
N2559-27	M6	27	77	20
N2559-27	M10	27	77	20
N2559-34	M6	34	85	25
N2559-34	M10	34	85	25
N2559-43	M6	43	93	32
N2559-43	M10	43	93	32
N2559-48	M6	48	100	40
N2559-48	M10	48	100	40
N2559-60	M6	60	110	50
N2559-60	M10	60	110	50
N2559-76	M12	76	127	65

Item	A	B	C	Pipe NB
N2559-89	M12	89	140	80
N2559-102	M12	102	152	90
N2559-114	M12	114	165	100
N2559-165	M12	165	215	150
N2559-168	M12	168	220	155
N2559-219	M16	219	295	200
N2559-273	M20	273	370	250
N2559-324	M20	324	420	300
N2559-356	M20	356	455	350

Available in H.D.G. and Stainless Steel.
* M6 sizes only available in Zinc.

PIPE SUPPORTS

LIGHTING SUPPORT & ACCESSORIES

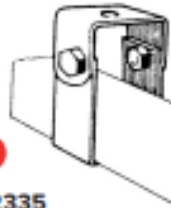


1

N922

Channel Joiner

For series N1000 and N2000 channels. Order M6x16mm countersunk head set screws and N3016M6 nuts separately. Available in Zinc plated and Stainless Steel.

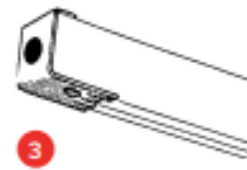


2

N2335

Suspension Fitting

For series N1000, N2000, N3300 N4000 channels. Available in Zinc plated.

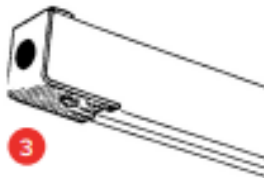


3

N2521-75

Conduit Entry

Conduit diameter = 19mm. Order M6x16mm countersunk head set screws and N3016M6 nuts separately. Available in Zinc plated.

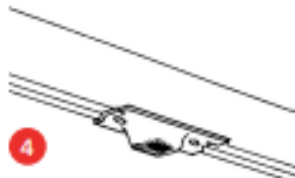


3

N2521-100

Conduit Entry

Conduit diameter = 25mm. Order M6x16mm countersunk head set screws and N3016M6 nuts separately. Available in Zinc plated.



4

N2535

Conduit Fitting

Order M6x16mm countersunk head set screws and N3016M6 nuts separately. Available in Zinc plated.

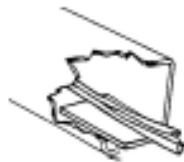


5

N2539

Chain Suspension Hanger

Supplied flat for folding around channel. Available in Zinc plated.



6

N2552

Fibre Cable Support

For support of cables until channel inserts (N1184PL) is in position.

