



CIVIL & CONSTRUCTION
MINING & POWER
PETROLEUM
WATER TREATMENT
FIRE PROTECTION
WINE INDUSTRY

COMPANY PROFILE

National Pipeline Supplies (NPS) is conveniently located at Rutherford in the Hunter Valley.

NPS is committed to the delivery of high quality products, excellent customer service and expert product knowledge. Our company's philosophy is to exceed in our customers expectations around service, delivery and satisfaction.

NPS has extended well beyond steel pipes, delivering product solutions including strut and associated products, valves, flanges, buttweld and threaded pipe fittings, actuators, steel and FRP industrial grating and stanchions.

The Team at NPS have a vast array of knowledge and experience across related industries and are committed to the development of mutually beneficial client relationships that encompass our core values of quality, reliability, safety, and value for money.



FOCUS INDUSTRIES

National Pipeline Supplies service multiple key industries including: Civil & Construction, Mining, Fire Protection, Power Stations, Water Treatment, Pulp & Paper and the ever popular Wine Industry. Our company is committed to providing continuous innovation, high quality products and value for money to our clients.



Civil & Construction



Mining & Power



Petroleum



Water Treatment



Engineering



Fire Protection

- Ball Valves
- Butterfly Valves
- Gate Valves
- Globe Valves
- Check Valves
- Pipe & Fittings
- Stair Treads
- Stair Tread Nosing
- FRP Grating

- Butt weld Fittings
- Flanges
- Steel & Aluminum Grating
- Ball Tube Stanchion
- Strut Products
- Stainless Steel Fittings
- Food Grade Fittings
- Roll Grooved Pipe & Fittings
- Shouldered Pipe & Fittings

- Gaskets
- Camlocks
- Stainless Pipe & Fittings
- Stainless Butt weld Fittings
- Stainless Pipe
- Stainless Flanges
- We can source most products required for your application.

**STEEL PIPE
ERW**



ELECTRIC RESISTANCE WELDED PIPE (ERW)

Available in Schedules: **10 to 160**

Size Range: **50NB to 700NB**

Ends: **Plain, Grooved & Shouldered**

Larger sizes are available on application

**STEEL PIPE
A106 - Seamless**



SEAMLESS PRESSURE PIPE

Available in Schedules: **40 to 160 & XXS**

Size Range: **10NB to 600NB**

Ends: **Plain**

**STEEL PIPE
AS1074**



BLACK & GALVANISED PIPE

Size Range: **15NB to 150NB**

Pressure Ranges: **Light, Medium & Heavy**

Ends: **Plain, Screwed, Grooved & Shouldered**

**STAINLESS STEEL PIPE
A312 - 304 & 316**



STAINLESS PRESSURE PIPE

Available in Schedules: **5, 10, 40 & 80**

Size Range: **15NB to 600NB**

Ends: **Plain**

FLANGES



FLANGES

Australian & International Standards in a wide range of materials including: Plate Steel, Carbon & Stainless Steels

Standards:

AS 2129, AS 4087, ANSI 150-2500, DIN 10-160, BS EN 1092-1 & JIS 10-40

BUTTWELD FITTINGS



BUTTWELD FITTINGS

Carbon Steel: **ASTM A234 & SGP**

Stainless Steel: **ASTM A182**

Grades **304 & 316**

Available in Schedules: **STD to XXS**

GAL MAL FITTINGS



GALVANISED MALLEABLE FITTINGS

Services including: Water, Oil, Gas, Air & Low Pressure Steam.

Available Sizes: **DN6 - DN150**

Connection: **BSP to ISO 7-1**

Dimensional Standard: **BS EN 10242**

BLACK STEEL FITTINGS & GAL STEEL FITTINGS



BLACK & GALVANISED STEEL FITTINGS

Services including: Water, Oil, Gas, Air & Low Pressure Steam.

Available Sizes: **DN6 to DN150**

Connection: **BSP to ISO 7-1**

Dimensional Standard: **EN 10241**

STAINLESS STEEL FITTINGS 304 & 316



STAINLESS STEEL FITTINGS

Grade 316 for General Services including: Water, Oil, Gas, Air & Low Pressure Steam.

Available Sizes: **DN6 to DN150**

Connections: **BSP to ISO 7-1**

HIGH PRESSURE FITTINGS 3000 lb - 6000 lb



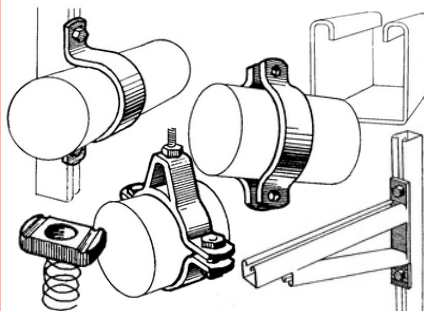
HIGH PRESSURE FITTINGS

3000LB & 6000LB Rated Forged Fittings in A105 Carbon Steel & 316 Stainless Steel.

Connections: **NPT, BSP & Socket Weld**

Dimensional Standard: **ASME B16.11
& BS 3799**

STRUT CHANNELS & ASSESSORIES



CHANNELS & ASSESSORIES

Metal framed support systems for electrical, hydraulic and mechanical services; products include electrical supports, fire control supports, pipe supports, channel systems, framing accessories, threaded rod, fixtures and fittings as well as cable tray and accessories.

CAMLOCKS



CAMLOCKS

Facilitate the transfer of products between two hoses or pipes. They are simple to connect and disconnect, requiring no tools.

Connections: **BSP to ISO 7-1**

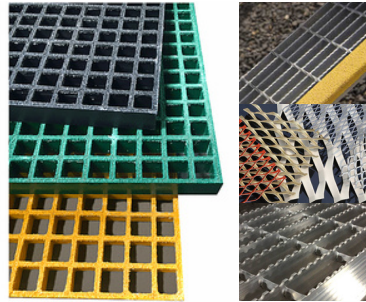
STANCHIONS



GALVANISED HANDRAIL SYSTEMS

Stanchions are vertical posts, the structural portion of a handrail. This means they're a component part of a larger system, and aren't deployed in isolation. The stanchions we sell are commonly used in safety barriers and handrails. Used heavily throughout industry for over 100 years, there is a type and design for every application

GRATING



GALVANISED & FRP GRATING

Available in several materials, Galvanised Steel, Untreated Steel, Aluminium and Fibreglass (FRP). Applications include, walkways, platforms, stairs, drain grates, guarding and commercial usage. FRP fibreglass is ideal for corrosive and chemical environments, along with high slip areas and cold climate walkways and platforms

BALL VALVE



QUARTER TURN VALVE

Available for high and low pressures in a wide range of materials including: Brass, Stainless Steel, Cast & Forged Steel

End Connections: **Screwed BSP & NPT, Flanged, Socket Weld & Butt Weld**

BUTTERFLY VALVE



QUARTER TURN VALVE

Available in Centreline and Eccentric Designs to Australian & International Standards

Bodies: **Wafer, Lugged & Flanged**

GATE VALVE



MULTI-TURN VALVE

Available in a wide range of materials to Australian and International Standards

Inside Screw (Non Rising Stem) & Outside Screw (Rising Stem)

GLOBE VALVE



MULTI-TURN VALVE

Available in a wide range of materials for use in throttling and control applications

Including: **Anti-Cavitation Trims & High Pressure Steam**

PNEUMATIC & ELECTRIC ACTUATORS



PNEUMATIC & ELECTRIC ACTUATORS

NAMUR Interface, Double Acting, Spring Return & ISO 5211 Mounting. **Rack & Pinon** or **Scotch Yoke** available

IP68 Enclosure, Digital Display, Stop/Start remote, ON-OFF, Modulating & Optional: Bus Systems. **Local Control Unit, 24V DC/AC, 240 Single Phase or 415 Three Phase**

DIY PIPE CLAMP FITTINGS



PIPE CLAMPS FITTINGS

Designed for easy, simple and fast erection of rigid structures by hand with the minimum of tools, cost effective, efficient system, particularly compared with traditional methods of construction. Available on application

THREAD TAPE



Yellow / White / Pink



DENSO TAPE & WRAP



100mm Wide



GASKETS



TYPES OF GASKETS

Natural Rubber, Non Asbestos Fibre & Spiral Wound
Other Materials on application

FASTENERS



TYPES OF FASTENERS

Bolts, Nuts & U-Bolts
Other fasteners available on application



NOTES:

A series of horizontal dotted lines provided for handwritten notes.

PIPE SIZING CHART

NB	NPS	ØD
6	1/8	10.3
8	1/4	13.7
10	3/8	17.1
15	1/2	21.3
20	3/4	26.7
25	1	33.4
32	1.1/4	42.2
40	1.1/2	48.3
50	2	60.3
65	2.5	73
65	2.5	*76.1
80	3	88.9
100	4	114.3
125	5	141.3
150	6	*165.1
150	6	168.1
200	8	219.1
250	10	273.1
300	12	323.9
350	14	355.6
400	16	406.4
450	18	457
500	20	508
600	24	610
650	26	660
700	28	711
750	30	762
800	32	813
850	34	864
900	36	914
1050	42	1067

NOTE:
 AS 1074 MAX PIPE SIZE 150NB
 * AS 1074 OD



41 Mustang Drive, Rutherford
 NSW Australia 2320
 (02) 4314 0228
 sales@natps.com.au